

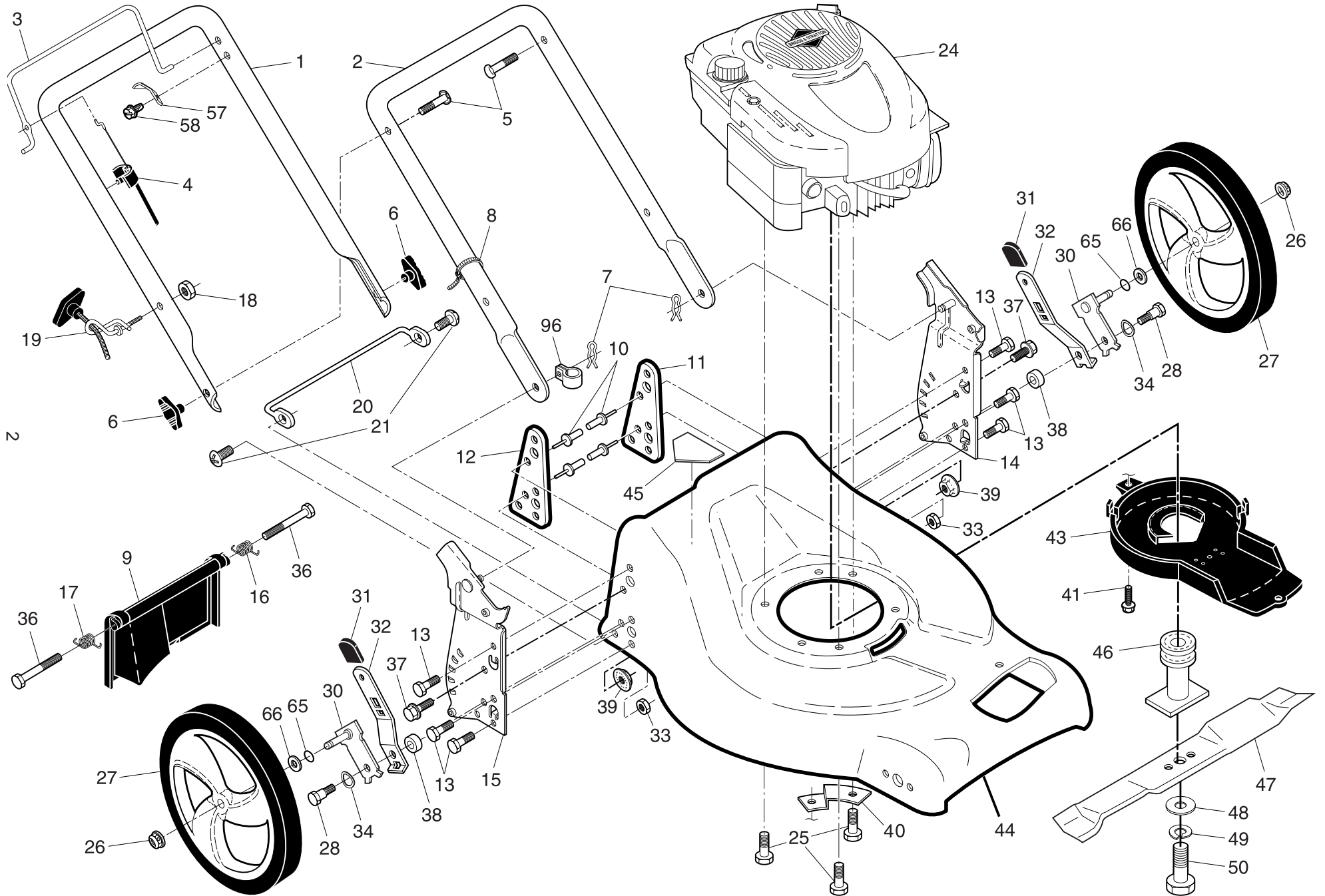
ILLUSTRATED PARTS LIST

MODEL NUMBER PRE5553

PRODUCT NUMBER 961 41 00-95

MFG. ID. NUMBER 96141009503

ROTARY LAWN MOWER - - MODEL NUMBER PRE5553 (96141009503) PRODUCT NUMBER 961 41 00-95



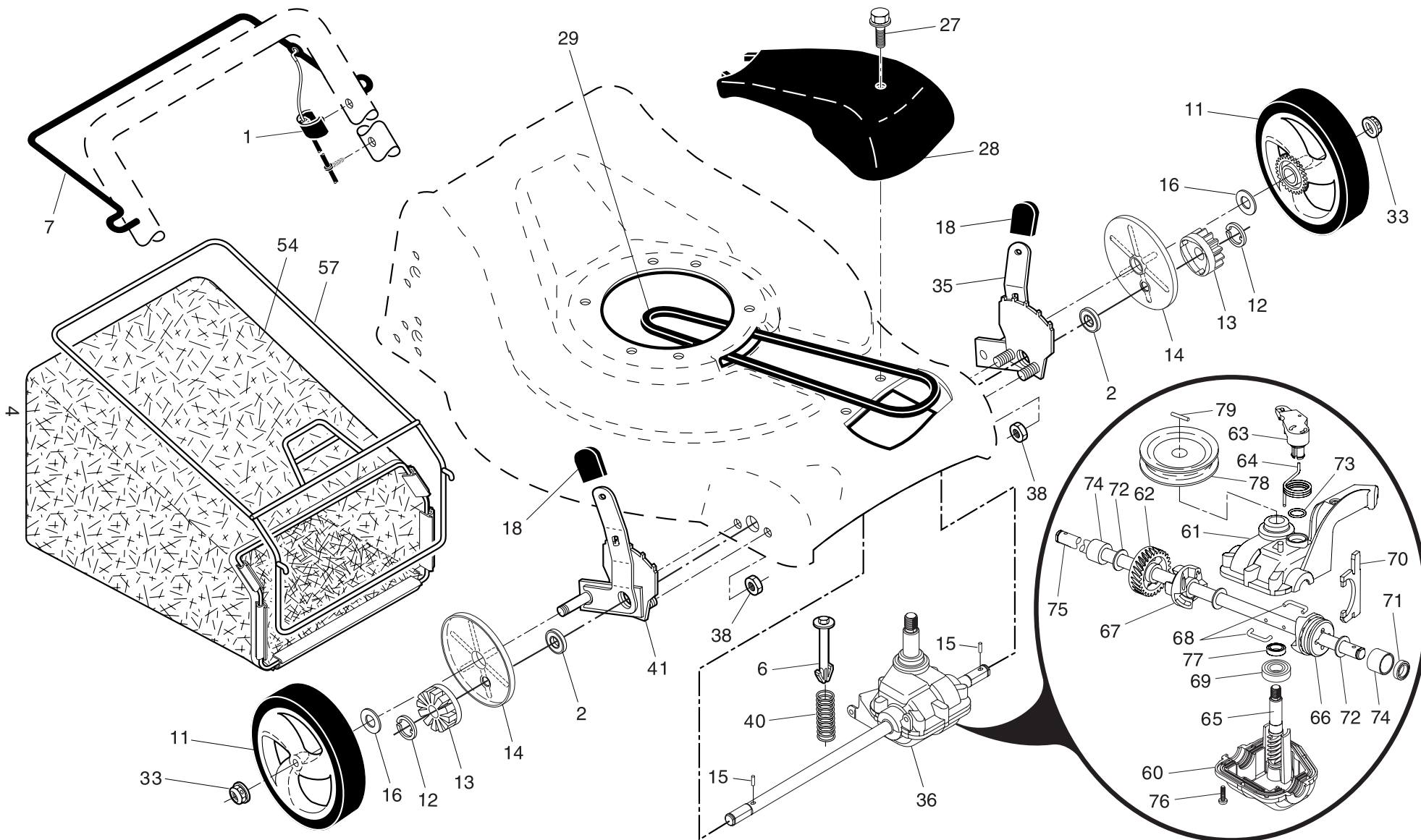
ROTARY LAWN MOWER - - MODEL NUMBER PRE5553 (96141009503) PRODUCT NUMBER 961 41 00-95

KEY NO.	PART NO.	DESCRIPTION	KEY NO.	PART NO.	DESCRIPTION
1	532 40 32-98	Upper Handle	30	532 41 31-41	Axle Arm Assembly, Rear
2	532 15 36-05	Lower Handle	31	532 08 78-77	Selector Knob
3	532 19 84-64	Control Bar	32	532 40 98-89	Selector Spring
4	532 18 35-67	Engine Zone Control Cable	33	873 80 05-00	Nut, Hex
5	532 19 15-74	Handle Bolt	34	532 40 16-30	Washer, Curved, Cylindrical
6	532 19 19-38	Handle Knob	36	532 18 41-93	Bolt
7	532 05 17-93	Hairpin Cotter	37	874 78 05-12	Screw
8	532 06 64-26	Wire Tie	38	532 40 16-29	Spacer
9	532 40 69-85	Rear Door Assembly	39	532 15 53-77	Nut, Hex 5/16-18
10	532 12 84-15	Pop Rivet	40	532 19 09-39	Mounting Bracket, Debris Shield
11	532 41 05-40	Support Bracket, LH	41	532 19 23-25	Screw
12	532 41 05-42	Support Bracket, RH	43	532 40 58-45	Debris Shield
13	817 06 04-10	Screw 1/4-20 x 5/8	44	532 40 96-82	Lawn Mower Housing (Includes Key Numbers 10, 11, 12 and 45)
14	532 18 25-43	Handle Bracket Assembly, LH	45	532 18 21-66	Danger Decal
15	532 18 25-45	Handle Bracket Assembly, RH	46	532 40 46-33	Blade Adapter
16	532 40 54-17	Spring, Rear Door, LH	47	532 19 93-77	Blade 21"
17	532 40 54-18	Spring, Rear Door, RH	48	532 85 10-74	Hardened Washer
18	532 13 20-04	Keys Locknut 1/4-20	49	532 85 02-63	Helical Washer 3/8-24 x 1-3/8 Grade 8
19	532 19 47-88	Rope Guide	50	532 85 10-84	Hex Head Machine Screw 3/8-24 x 1-3/8 Grade 8
20	532 41 35-43	Foot Guard, C.E.	57	532 12 51-62	Bracket, Upstop
21	817 49 04-16	Screw, Tapping 1/4-20 x 1/2	58	532 75 06-34	Screw
22	532 18 49-41	Pulley, Drive	65	532 19 74-80	O-Ring
23	532 18 77-23	Key, Woodruff	66	532 08 83-48	Washer, Flat
24	- - -	Engine, Briggs & Stratton, Model No. 122T02 (Order parts from engine manufacturer)	96	532 19 79-91	Clip, Cable
25	532 15 04-06	Screw, Hex Head, Threaded, Rolled 3/8-16 x 1-1/8	--	532 41 04-08	Operator's Manual, European
26	532 40 91-49	Hex Flange Nut	--	532 41 04-10	Operator's Manual, Scandinavian
27	532 40 30-72	Wheel & Tire Assembly	--	532 41 04-06	Operator's Manual, East Bloc
28	532 40 16-38	Shoulder Bolt 5/16-18 x .33	--	532 41 04-11	Operator's Manual, Baltic

3

NOTE: All component dimensions given in U.S. inches. 1 inch = 25.4 mm. **IMPORTANT:** Use only Original Equipment Manufacturer (O.E.M.) replacement parts. Failure to do so could be hazardous, damage your lawn mower and void your warranty.

ROTARY LAWN MOWER - - MODEL NUMBER PRE5553 (96141009503) PRODUCT NUMBER 961 41 00-95



ROTARY LAWN MOWER - - MODEL NUMBER PRE5553 (96141009503) PRODUCT NUMBER 961 41 00-95

KEY NO.	PART NO.	DESCRIPTION	KEY NO.	PART NO.	DESCRIPTION
1	532 19 46-53	Drive Control Assembly (Includes Cable)	54	532 19 48-53	Grassbag Assembly
2	532 19 10-39	Bearing, Wheel Adjuster	57	532 41 19-50	Frame, Grassbag
6	532 15 04-95	Retainer, Spring	60	532 18 34-97	Case, Lower
7	532 19 84-53	Control Bar	61	532 18 34-98 *	Case, Upper
11	532 40 25-67	Wheel & Tire Assembly	62	532 18 34-99 *	Gear, 27 Teeth
12	812 00 00-58	E-Ring	63	532 18 35-00	Lever, Clutch
13	532 40 38-49	Pinion	64	532 18 35-01	Spring, Return
14	532 18 94-03	Dust Cover	65	532 18 35-02	Shaft, Input
15	532 40 48-45	Pawl, Drive	66	532 18 35-03	Dog, Movable
16	532 06 77-25	Washer 1/2 x 1-1/2 x .134	67	532 18 35-04	Dog, Fixed
18	532 08 78-77	Selector Knob	68	532 18 35-05	Wire, Formed
27	532 17 52-62	Pan Head Tapping Screw #10-24 x 2-3/4	69	532 18 35-06	Bearing, Ball
28	532 18 14-68	Drive Cover	70	532 18 35-07	Fork, Shift
29	532 17 54-36	V-Belt	71	532 18 35-08	Seal, Output Shaft
33	532 40 91-48	Locknut, Hex	72	532 18 35-09	Washer
35	532 40 88-62	Kit, Wheel Adjuster, LH (Includes Knob and Bearing)	73	532 18 35-10	Seal, Case
36	532 19 92-05	Gearcase Assembly, Complete	74	532 18 35-11	Bushing
38	873 80 04-00	Locknut, Hex 1/4-20	75	532 19 66-13	Shaft, Output
40	532 13 70-90	Spring	76	532 18 35-13	Screw
41	532 40 88-61	Kit, Wheel Adjuster, RH (Includes Knob and Bearing)	77	532 18 35-14	Seal, Input Shaft
			78	532 19 98-62	Pulley, Drive
			79	532 19 94-19	Pin, Retainer

* Use Dow Corning #709 to reseal Gear Case Halves.

NOTE: All component dimensions given in U.S. inches. 1 inch = 25.4 mm. **IMPORTANT:** Use only Original Equipment Manufacturer (O.E.M.) replacement parts. Failure to do so could be hazardous, damage your lawn mower and void your warranty.